



2PC DIRECT MOUNT SCREWED BALL VALVE

技術參數 Specification



尺寸(SIZE)	1/4" - 3" (11 - 80mm)
適用壓力(PRESSURE RATING)	1000 PSI
材質(Materials)	Stainless Steel, Carbon Steel
連接方式(End Connection)	Screwed
適用介質(Service Application)	Water, Oil, Gas, Thermal Fluid, Chemicals and others
標準規範(Certifications)	ISO 9001, PED 97 / 23 / EC
使用參照(Operation)	Manual or Actuated

特點 Feature

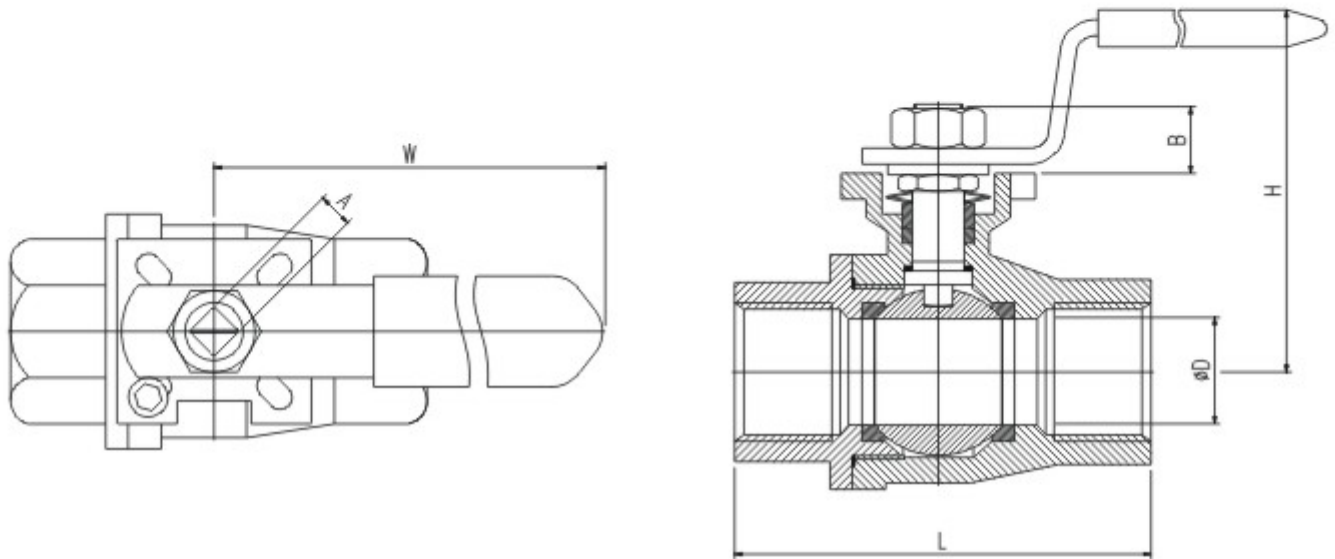
- ▶ 驅動器連接座符合ISO 5211標準設計，能更迅速、方便的安裝。
- ▶ 閥杆頂端採用方型設計，能夠更迅速裝配驅動器。
- ▶ 防靜電裝置設計。
- ▶ 防飛出中軸裝置設計。
- ▶ Built-in ISO 5211 Direct Mounting Pad.
- ▶ Square Stem for Direct Mounting with Automation.
- ▶ Anti-Static Devices for Ball-Stem-Body.
- ▶ Blow-out Proof Stem.

材質表 Materials

DESCRIPTION		MATERIALS	
		STAINLESS STEEL	CARBON STEEL
閥體	BODY	ASTM A182 F316 / A351 CF8M	ASTM A105 / A216 WCB
墊圈	GASKET	PTFE	
側蓋	END CAP	ASTM A351 CF8M	ASTM A216 WCB
閥座	SEAT	METAL	
		PTFE	
		RPTFE / GPTFE / CPTFE	
		PEEK	
球體	BALL	ASTM A351 CF8M/316	ASTM A351 CF8M/304/316
閥杆	STEM	ASTM A276 316	ASTM A276 304
華司	THRUST WASHER	PTFE	
墊片	STEM PACKING	PTFE	
填函料	GLAND	AISI 304	
華司	BELLEVILLE WASHER	AISI 301	
螺帽	PACKING NUT	AISI 304	
彈簧墊片	SPRING WASHER	AISI 304	
螺帽	HANDLE NUT	AISI 304	
手柄	HANDLE	AISI 304	ZINC PLATED STEEL
手柄膠套	HANDLE GRIP	VINYL PLASTISOL	
螺帽	STOPPER NUT	AISI 304	CARBON STEEL
O型環	O-RING	VITON	



2PC DIRECT MOUNT SCREWED BALL VALVE



L1 = DIN3202 M3

尺寸表 Materials

SIZE		ØD		L		L1		H		W		A		B		M	Weights KG
IN	MM	IN	MM	IN	MM	IN	MM	IN	MM	IN	MM	IN	MM	IN	MM		
1/4"	8	0.43	11.0	2.36	60.0	2.56	65	2.83	72.0	5.31	135.0	0.35	9.0	0.39	10.0	F03-F04	0.4
3/8"	10	0.47	12.0	2.36	60.0	2.56	65	2.83	72.0	5.31	135.0	0.35	9.0	0.39	10.0	F03-F04	0.3
1/2"	15	0.59	15.0	2.72	69.0	2.95	75	2.83	72.0	5.31	135.0	0.35	9.0	0.39	10.0	F03-F04	0.5
3/4"	20	0.79	20.0	3.15	80.0	3.15	80	2.99	76.0	5.31	135.0	0.35	9.0	0.39	10.0	F03-F04	0.6
1"	25	1.00	25.4	3.54	90.0	3.54	90	3.23	82.0	6.50	165.0	0.43	11.0	0.55	14.0	F04-F05	1.0
1 1/4"	32	1.26	32.0	4.17	106.0	4.33	110	3.46	88.0	6.50	165.0	0.43	11.0	0.55	14.0	F04-F05	1.4
1 1/2"	40	1.50	38.0	4.72	120.0	4.72	120	4.09	104.0	7.68	195.0	0.55	14.0	0.77	19.5	F05-F07	2.0
2"	50	1.97	50.0	5.51	140.0	5.51	140	5.67	144.0	7.68	195.0	0.55	14.0	0.77	19.5	F05-F07	3.4
2 1/2"	65	2.56	65.0	6.61	168.0	7.28	185	6.38	162.0	11.81	300.0	0.67	17.0	0.83	21.0	F05-F07	6.5
3"	80	3.15	80.0	7.48	190.0	8.07	205	6.81	173.0	11.81	300.0	0.67	17.0	0.83	21.0	F05-F07	9.8