



DOUBLE ECCENTRICITY BUTTERFLY VALVE

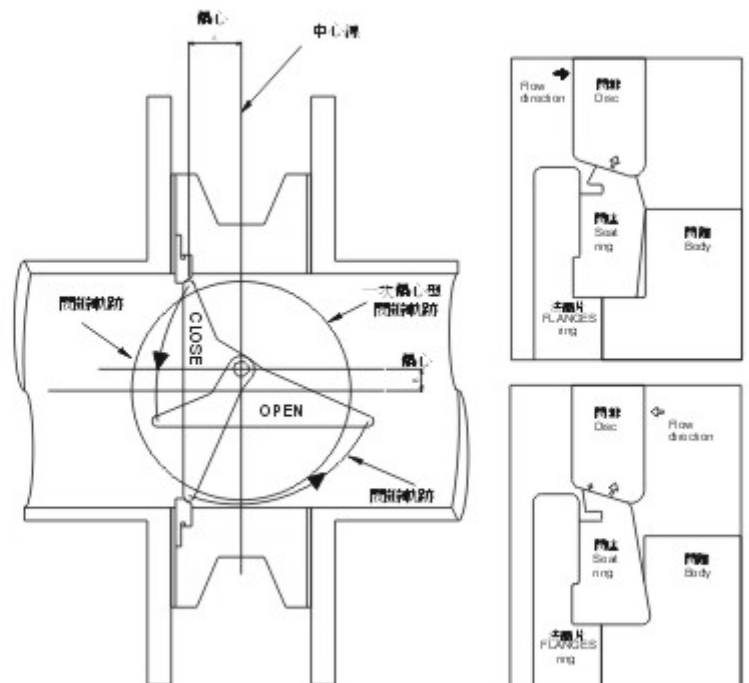
技術參數 Specification



尺寸(SIZE)	DN50 ~ DN600
適用壓力(PRESSURE RATING)	ANSI 150 LB, JIS 10K
閥體試驗壓力(BODY TEST PRESSURE)	10 Kg/cm ²
密封試驗壓力(SEAT TEST PRESSURE)	10 Kg/cm ²
適用溫度(OPERATION TEMPERATURE)	-40°C ~ 400°C
適用流體(FLUID)	水, 油, 氣, Water, Oil, Gas

特點 Feature

- ▶ 開或關時，閥瓣類似凸輪機構的方式，壓緊閥座達到閥座能止漏效果。
- ▶ 減少磨差力。
- ▶ 扭力小，操作方便。
- ▶ 閥座的彈性與來自流體的壓力即可確保各方面流量時的氣密效果更加更有效。
- ▶ Excellent sealing performance under a high pressure.
- ▶ High durability.
- ▶ Measures against dewing needed little.
- ▶ High stray current corrosion resistance.
- ▶ Coating unnecessary.
- ▶ Low operating torque.
- ▶ Lightweight and compact design.

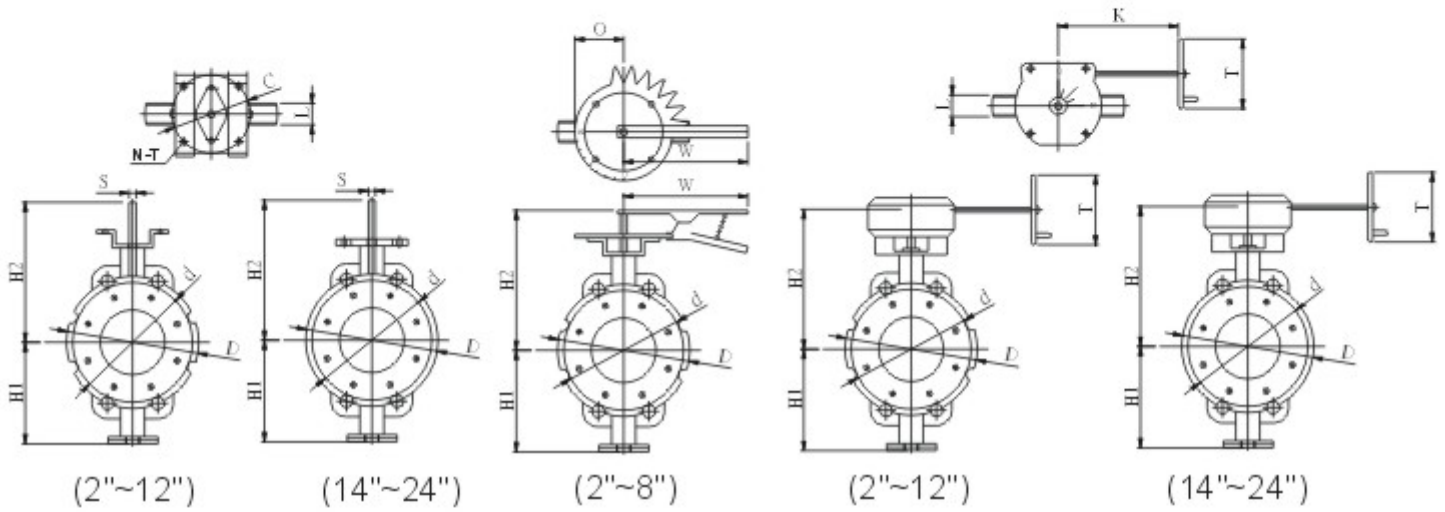


材質表 Materials

零件名稱	Name	規格	Specification	JIS	ASTM
閥體	Body	不銹鋼	Stainless Steel	SCS 13A	A351 Gr. CF8
				SCS 14A	A351 Gr. CF8M
閥瓣	Disc	不銹鋼	Stainless Steel	SCS 13A	A351 Gr. CF8
				SCS 14A	A351 Gr. CF8M
閥軸	Stem	不銹鋼	Stainless Steel	SUS 304	A182 Gr. F304
				SUS 316	A182 Gr. F316
閥座	Seat	聚四氟乙烯	PTFE		
		不銹鋼	Stainless Steel	SUS 304	A182 Gr. F304
				SUS 316	A182 Gr. F316
軸銷	Taper pin	不銹鋼	Stainless Steel	SUS 304	A182 Gr. F304
				SUS 316	A182 Gr. F316
○型環	O-Ring	晴橡膠	NBR		



DOUBLE ECCENTRICITY BUTTERFLY VALVE



Valve

Lever

Worm Gear

尺寸表 Dimension

inch	mm	d	D	L	H1	C	S	Worm Gear Operated			Lever Handle			
								H2	T	K	H2	W	O	N-T
2	50	54	100	43	68	70	16	174	125	150	184	208	61	4-M6
2-1/2	65	69	120	46	90	70	16	183	125	150	193	208	61	4-M6
3	80	82	130	46	95	70	16	195	125	150	205	208	61	4-M6
4	100	102	155	52	105	70	16	201	125	150	211	208	61	4-M6
5	125	126	185	56	125	80	19	233	150 200	150	245	356	72	4-M8
6	150	150	215	56	135	80	19	249	150 200	150	261	356	72	4-M8
8	200	200	265	60	168	102	19 25	302	200 250	250	304	356	77	4-M8
10	250	248	325	68	214	102	25 28	323	250 300	250	NA	NA	NA	NA
12	300	295	370	78	256	102	28 32	346	250 300	250	NA	NA	NA	NA
14	350	325	410	78	300	140	32 35	374	250 300	300	NA	NA	NA	NA
16	400	370	475	102	328	165	45	420	450	360	NA	NA	NA	NA
18	450	425	530	114	350	165	50	430	450	360	NA	NA	NA	NA
20	500	475	585	127	410	165	60	507	700	400	NA	NA	NA	NA
24	600	555	690	154	470	254	65	580	700	620	NA	NA	NA	NA